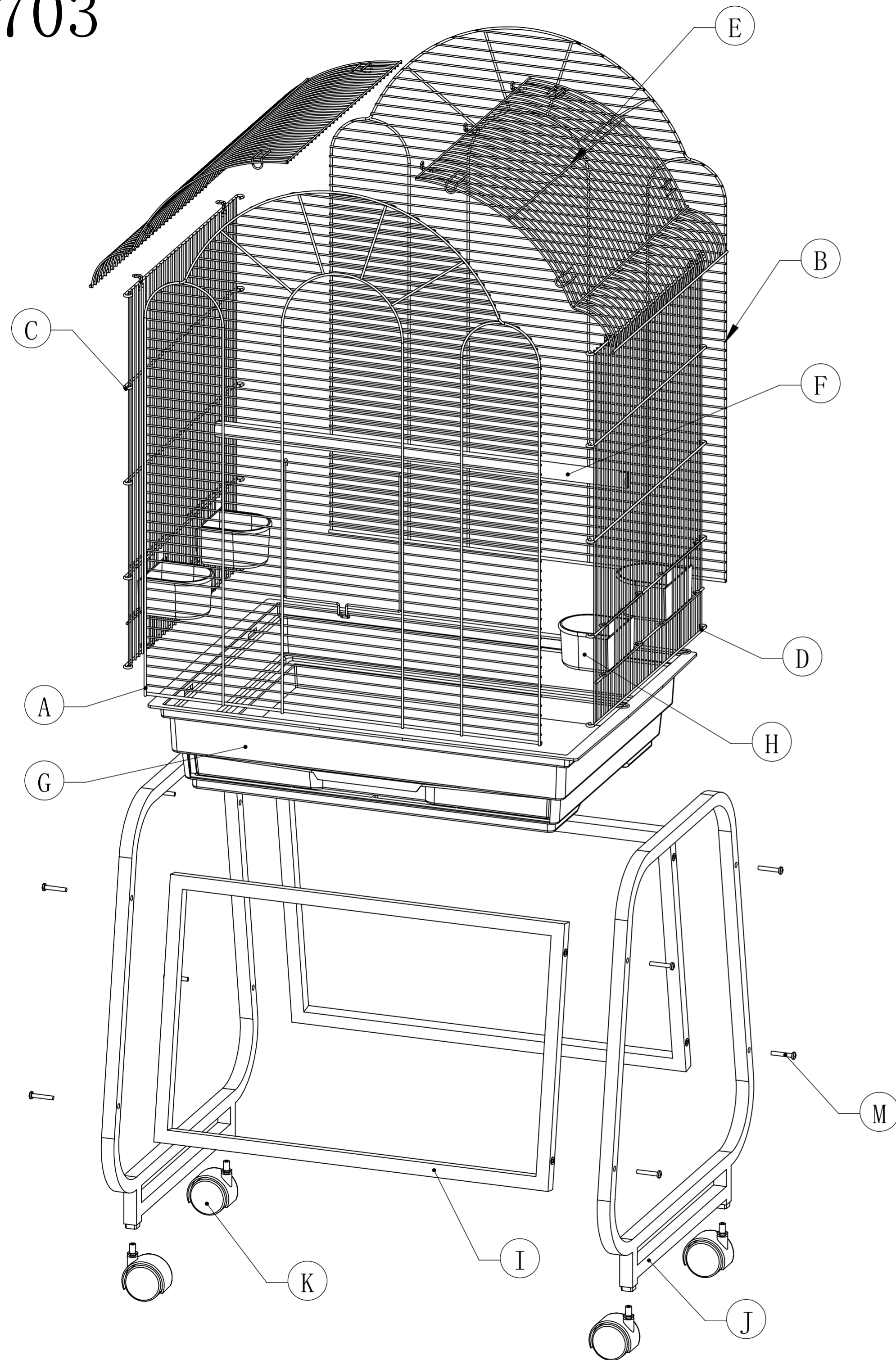


703

## Box List



Item No: 703			Worker	Q C	ganger
Part name	Quantity				
A Front wire	1pc				
B Back wire	1pc				
C Left wire	1pc				
D Right wire	1pc				
E Top wire	2pcs				
F Bottom perch	1pc				
G Plastic bottom	1pc				
H Cup	4pcs				
I Front & back frame	2pcs				
J Left & right leg	2pcs				
K Wheels	4pcs				
L Screw bag	1pc				
M Screw single (M5x30)	8pcs				

1. Attach part J, part I and part K with screws;
2. Attach part A, part B, part C, part D into the slot of part G,
3. Buckle part E with part C and part D;
4. Insert part F into the body of the cage;
5. Put part H into the holes of part C and part D , then cage assembled;
6. Put the body on the stand to form a complete cage.  
Then assembly finished.