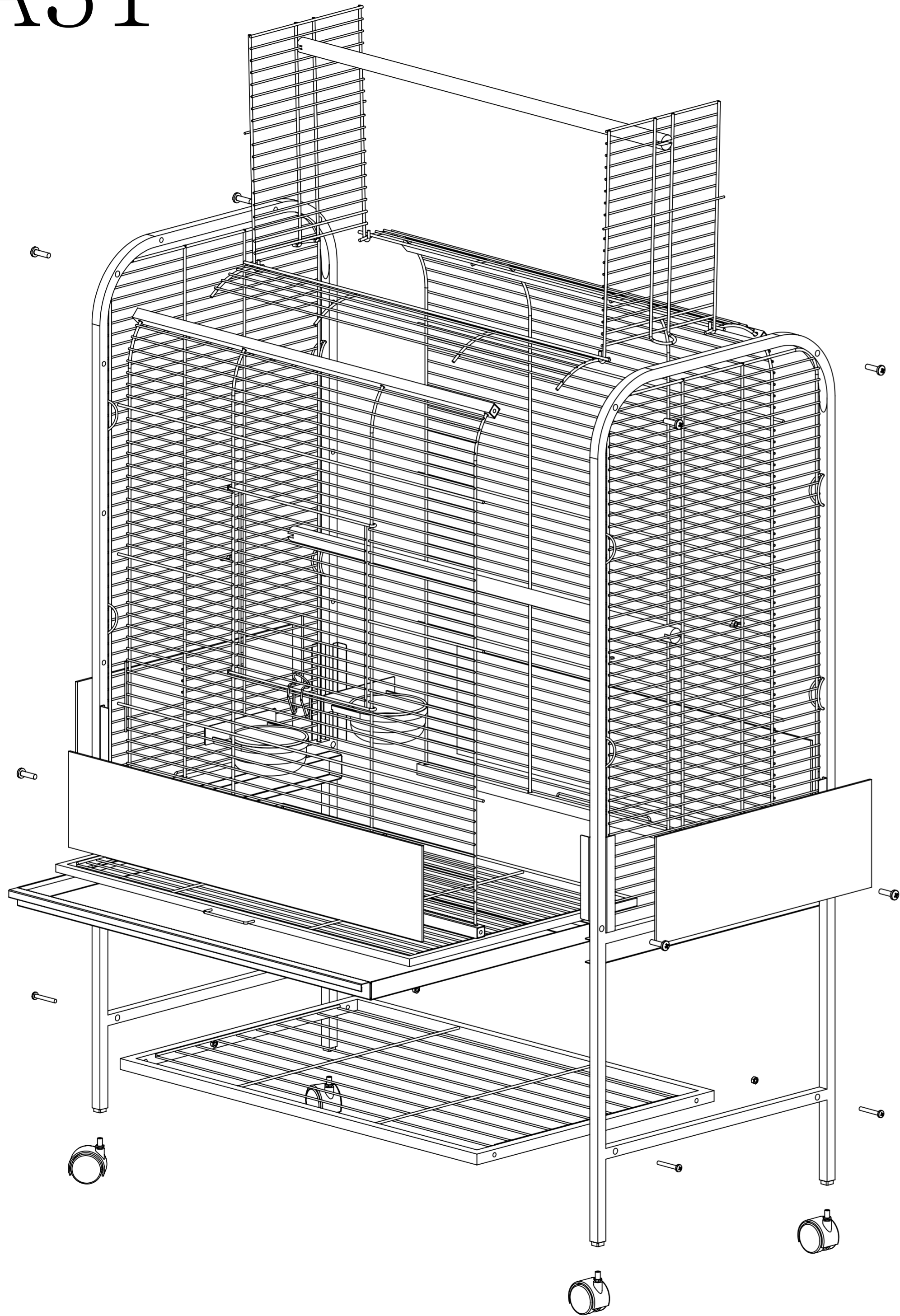


A31

Box List



Item No: A31				
Box		Worker	Q C	ganger
Part name	Quantity			
Front wire(前网)	1pcs			
Back wire(后网)	1pcs			
Left wire(左网)	1pcs			
Right wire(右网)	1pcs			
Top wire(盖网)	2pcs			
Upper tube(上方管)	2pcs			
Bottom tube(下方管)	2pcs			
Louver wire(天窗网)	2pcs			
Transparent acryl panels(透明裙边)	4pcs			
Assembly Instructions(包装图)	1pcs			
Upper perch(上棍)	1pcs			
Bottom perch(下棍)	4pcs			
Grill(密网)	1pcs			
Bottom grill(脚网)	1pcs			
Tray(铁盆)	1pcs			
Wheels(2寸8厘脚轮)	4pcs			
Feeders(5寸杯)	2pcs			
Holder(5寸合圈)	2pcs			
Screw bag(螺丝包)	1pcs			

1. Screw 2x wheels onto bottom of Right wire then 2x wheels onto bottom of Left wire.
2. Link Right and Left wire with Tubes(2x Lower & 2x middle & 2x Upper)
3. Put Front wire mesh and Left wire mesh into the holes on 2x middle linking tube.
4. Put 2x top wire into the holes on the Upper Tube.
5. Slide Grid & Tray in space underneath Front wire.
6. Put the perches in place as picture shows.
7. Screw door feeders on inside of 3x doors.
8. Pull off the protection layers of the 4 transparent acryl panels.
9. Slide 1x Right panel & 1x Left panel into the slots on the right & left.
10. Slide 1x Front panel [shorter in height] & 1x Back panel into the slots in front & back.