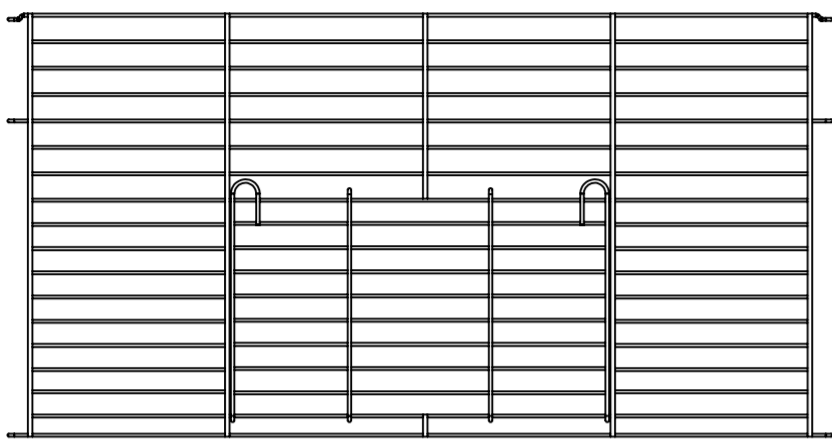
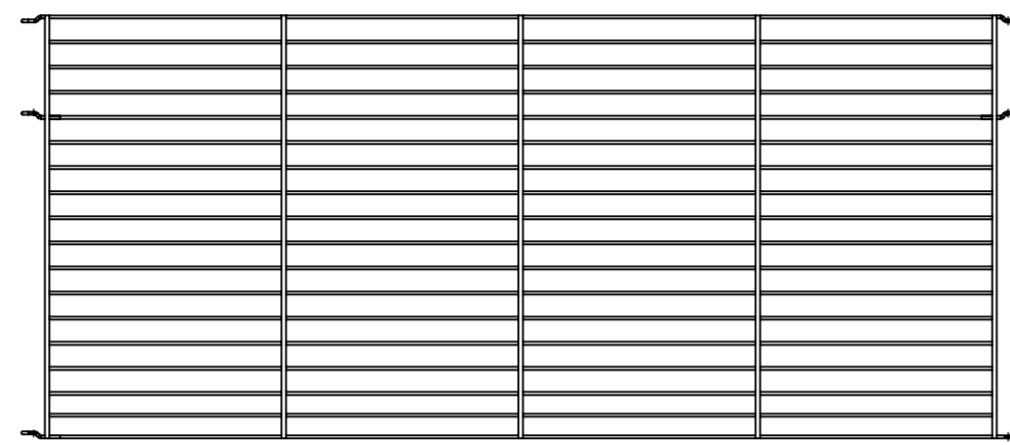
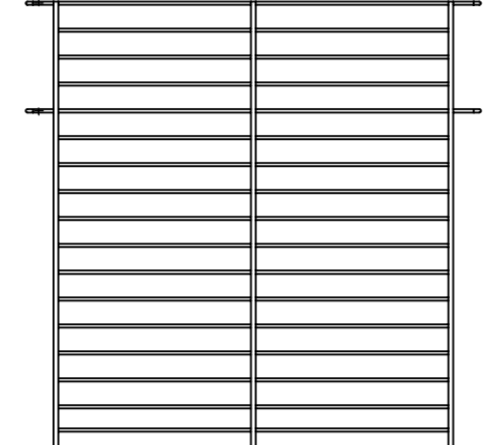
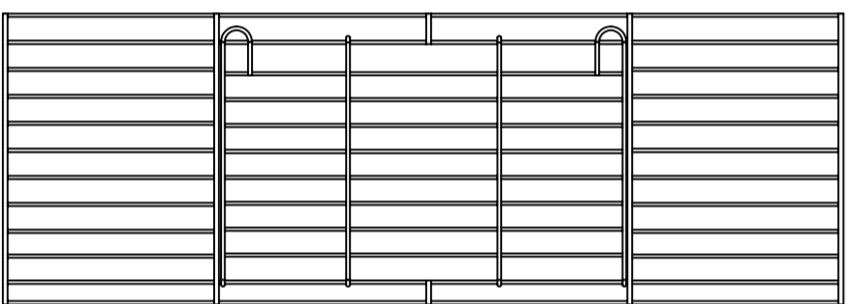
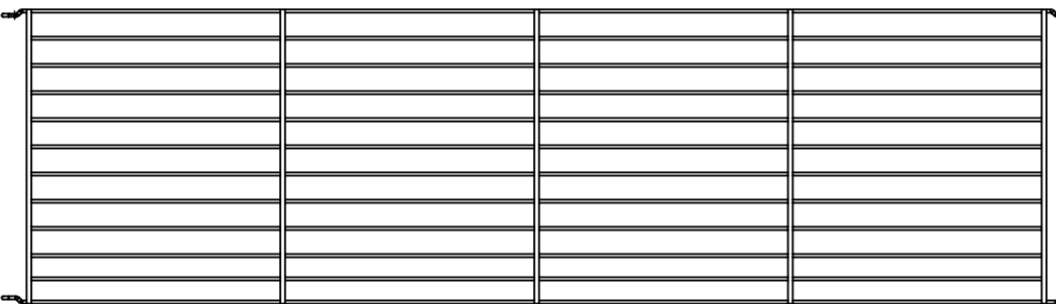
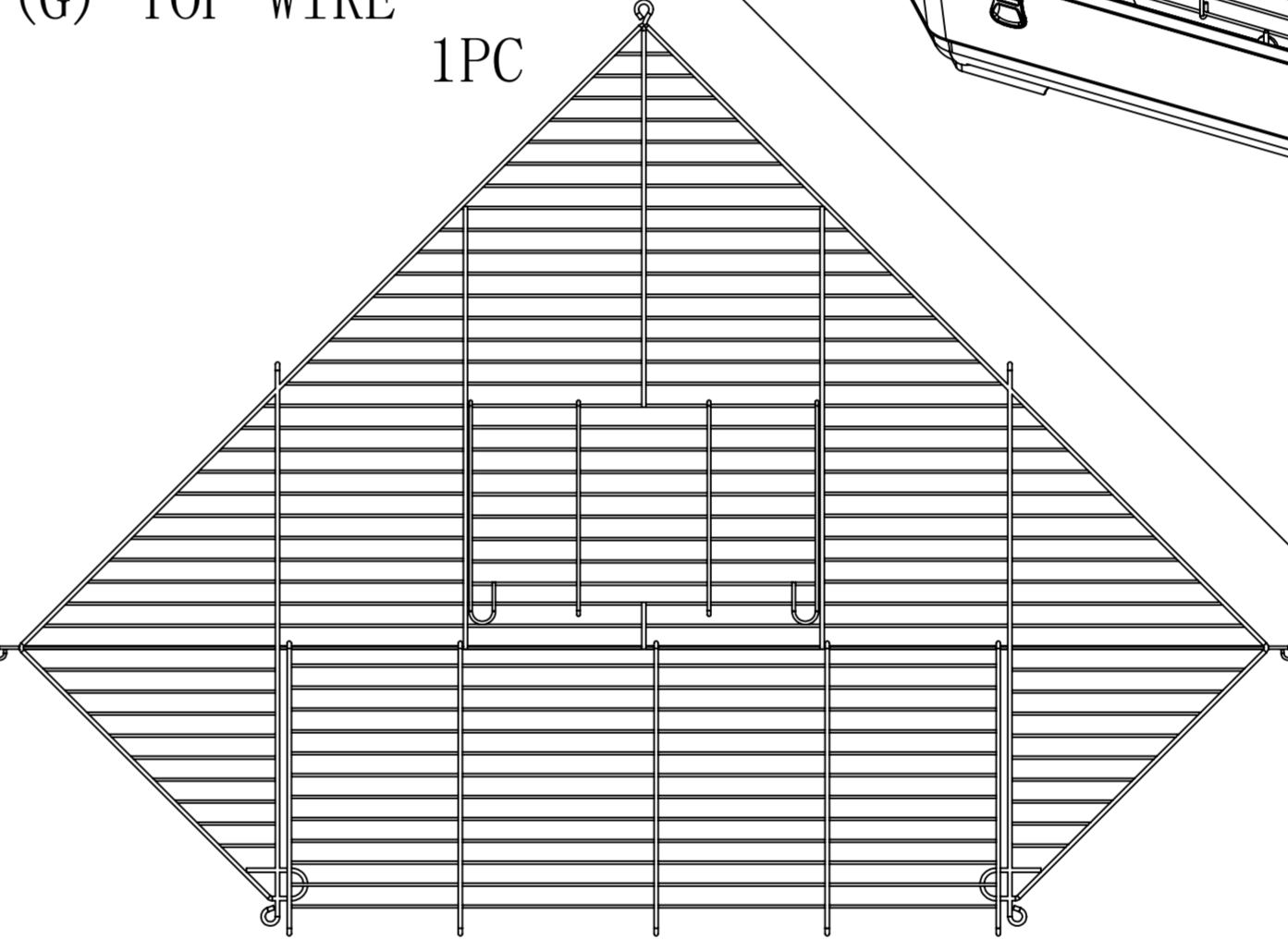
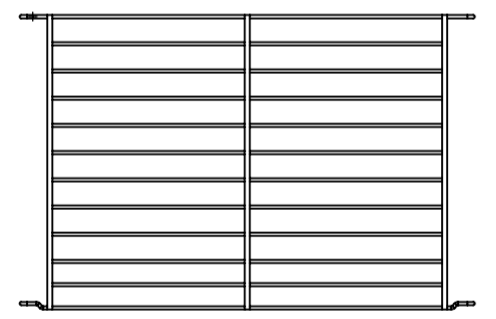

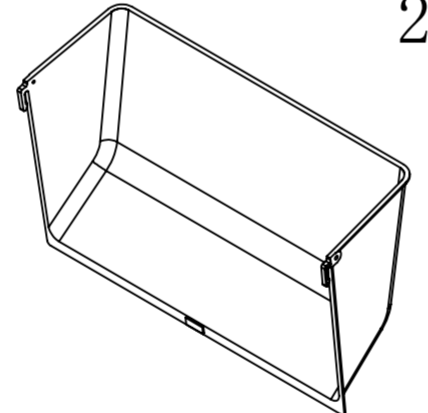
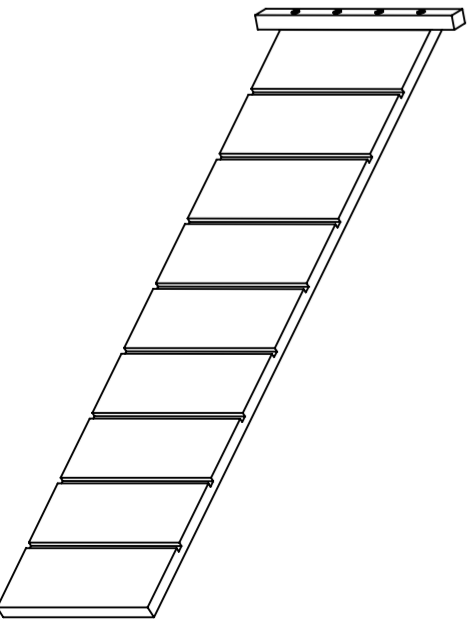
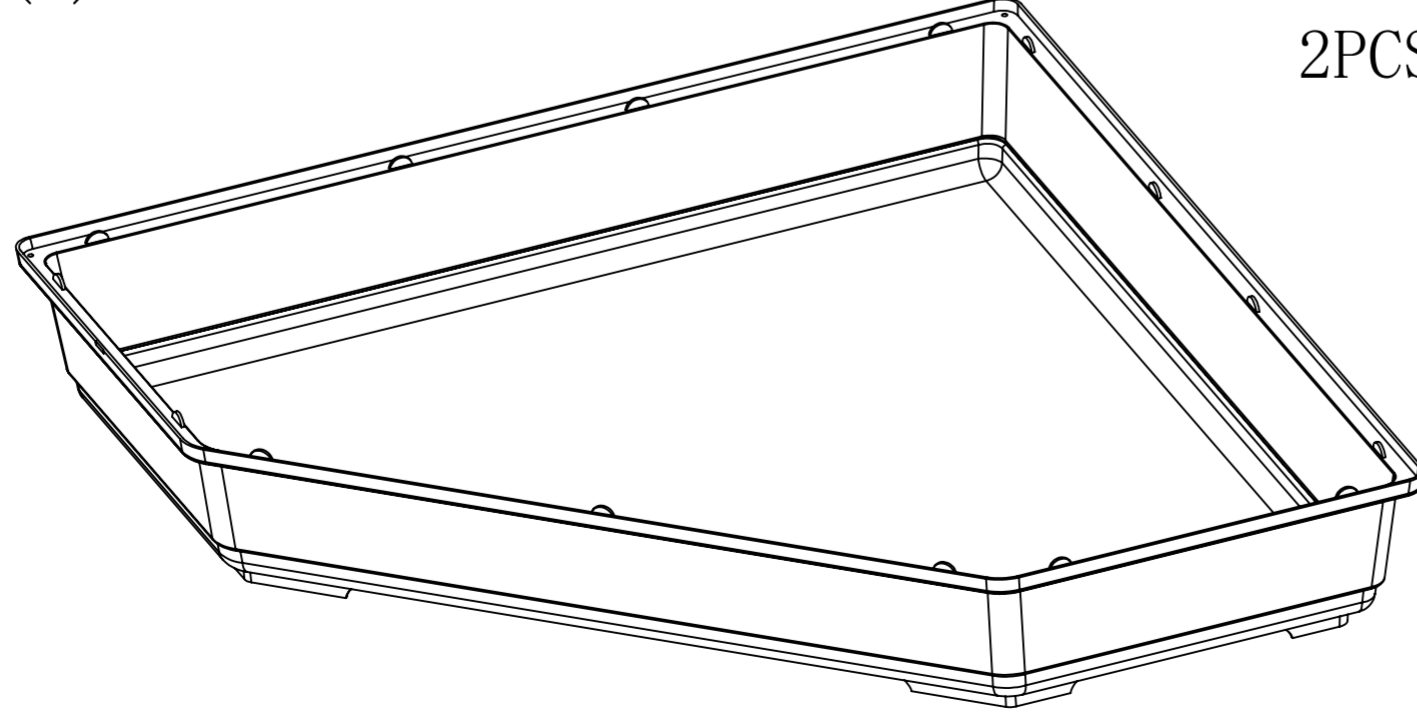
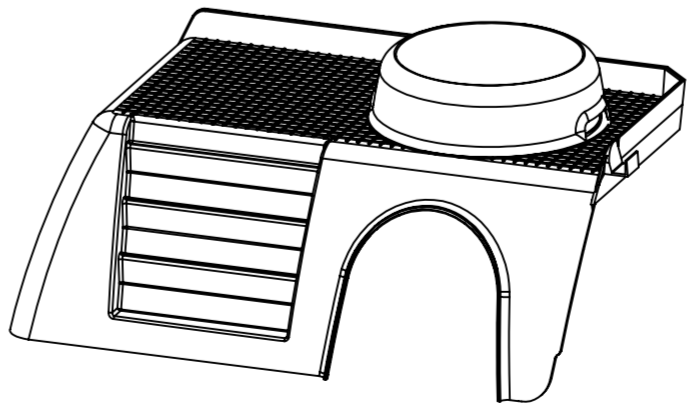
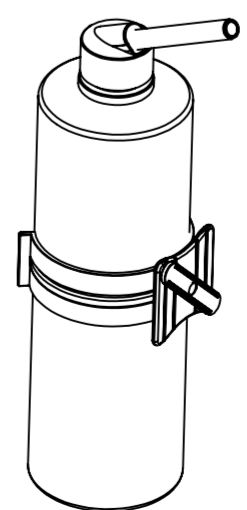
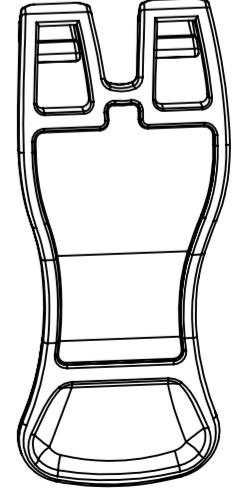
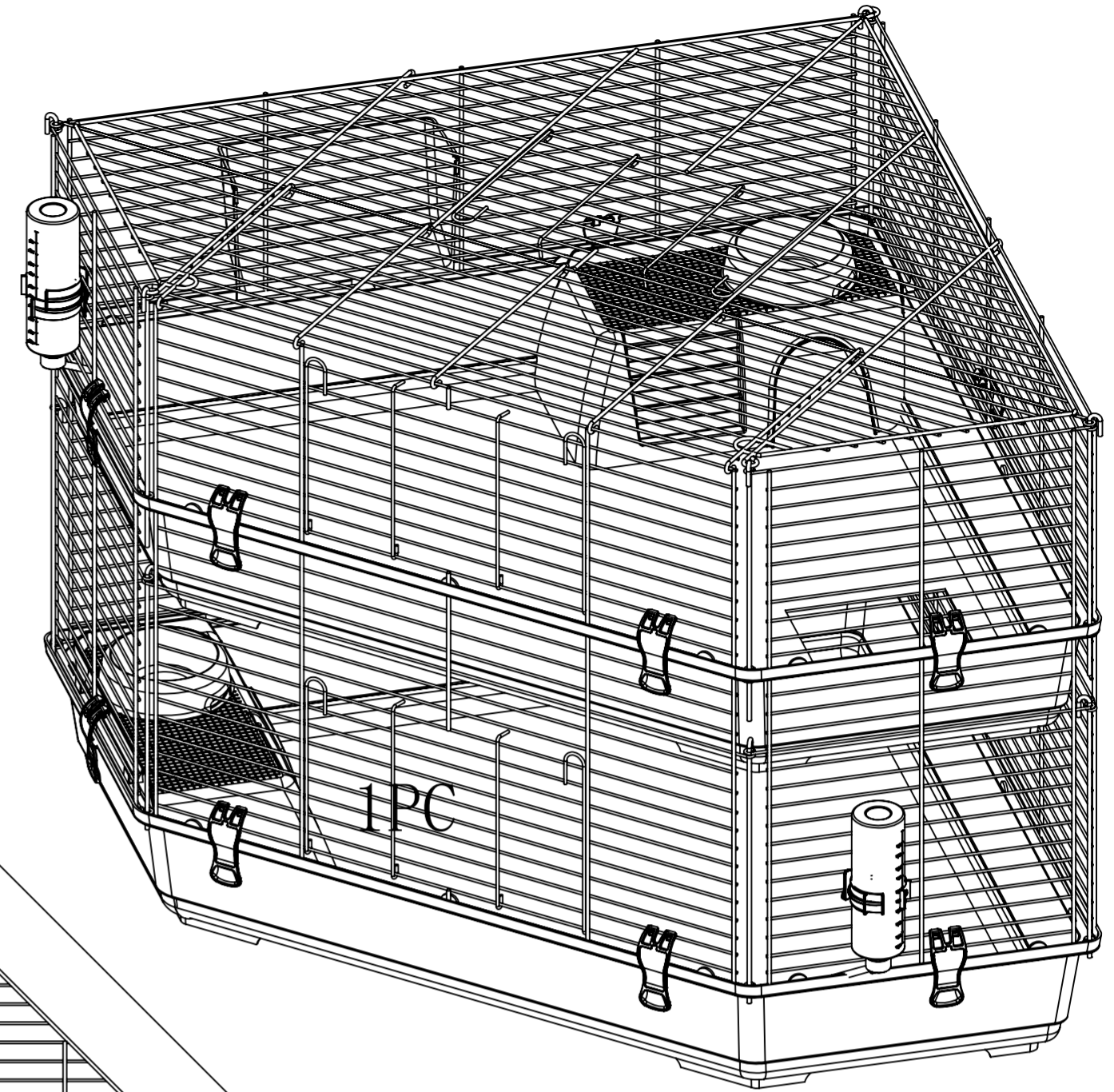


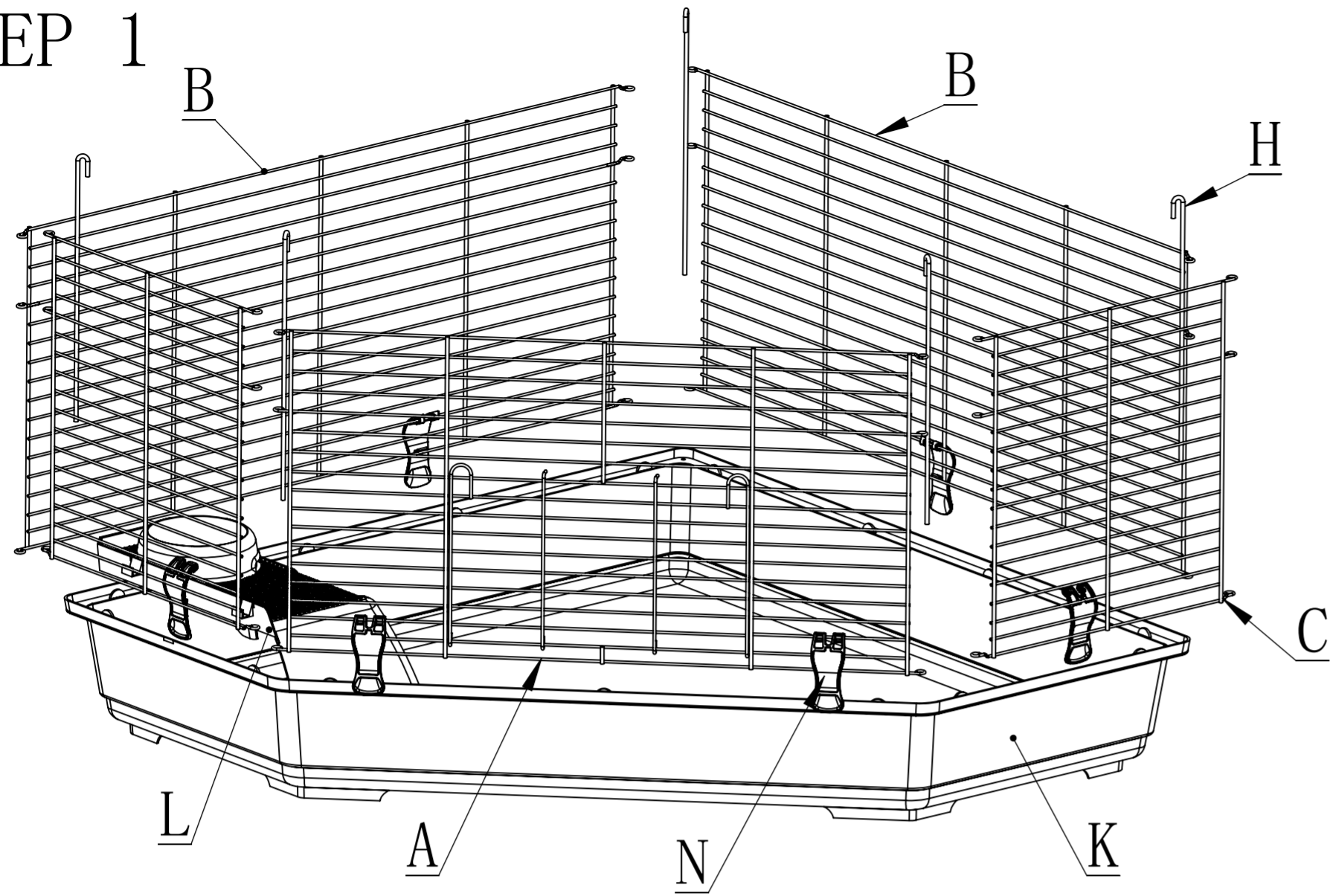
ASSEMBLY INSTRUCTIONS

Item No. : RB100CCD

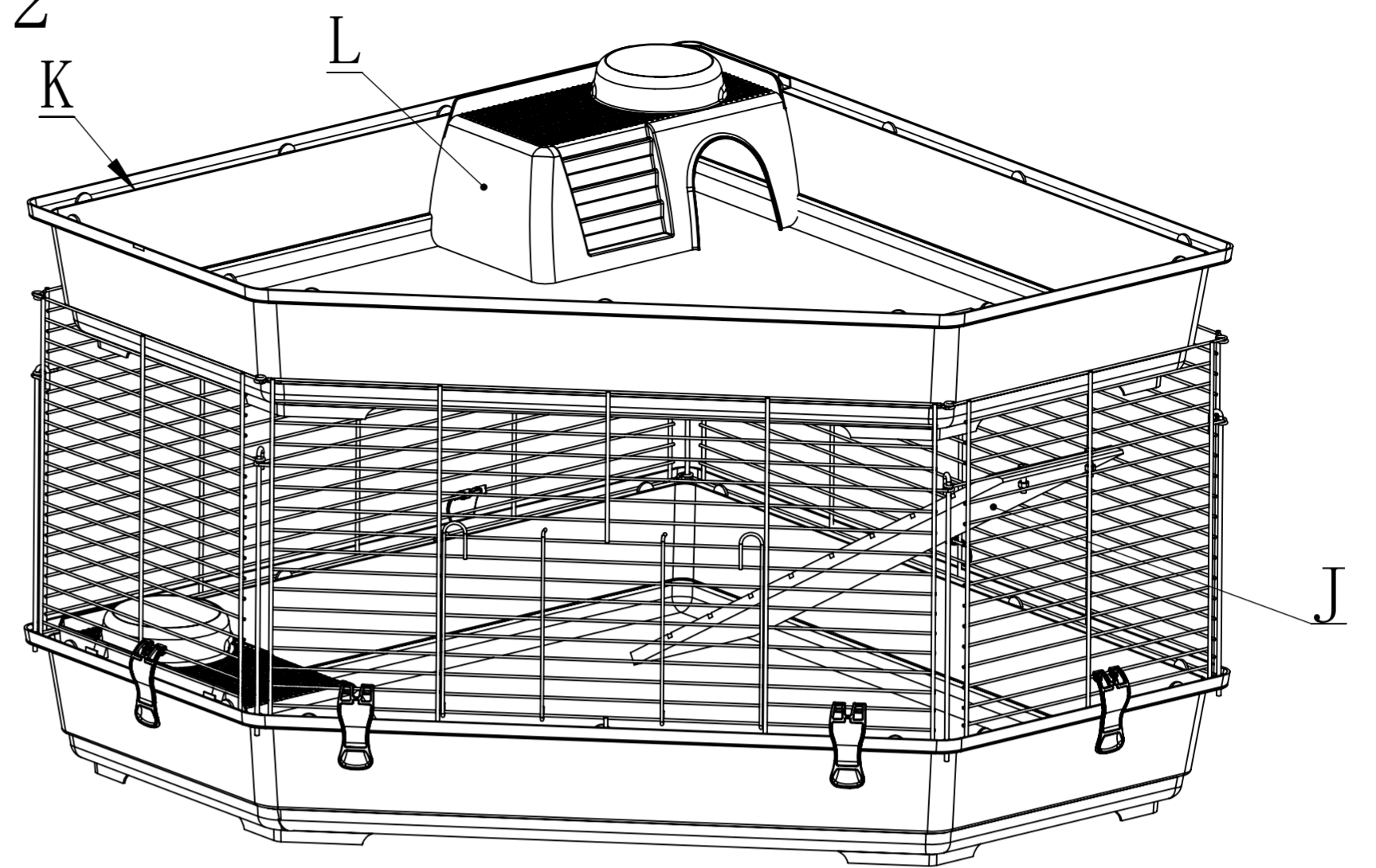
<p>(A) LOWER FRONT WIRE 1PC</p> 	<p>(B) LOWER BACK WIRE 2PCS</p> 	<p>(C) LOWER SIDE WIRE 2PCS</p> 		
<p>(D) UPPER FRONT WIRE 1PC</p> 	<p>(E) UPPER BACK WIRE 2PCS</p> 	<p>(G) TOP WIRE 1PC</p> 		
<p>(F) UPPER SIDE WIRE 2PCS</p> 	<p>(H) ATTACHING LAMP 10PCS</p> 	<p>(I) HAY RACK 2PCS</p> 		
<p>(J) WOODEN LADDER 1PC</p> 	<p>(K) PLASTIC BOTTOM 2PCS</p> 	<p>(L) RABBIT HUTCH 2PCS</p> 	<p>(M) 500ML BOTTLE 2PCS</p> 	<p>(N) PLASTIC FASTENER 12PCS</p> 



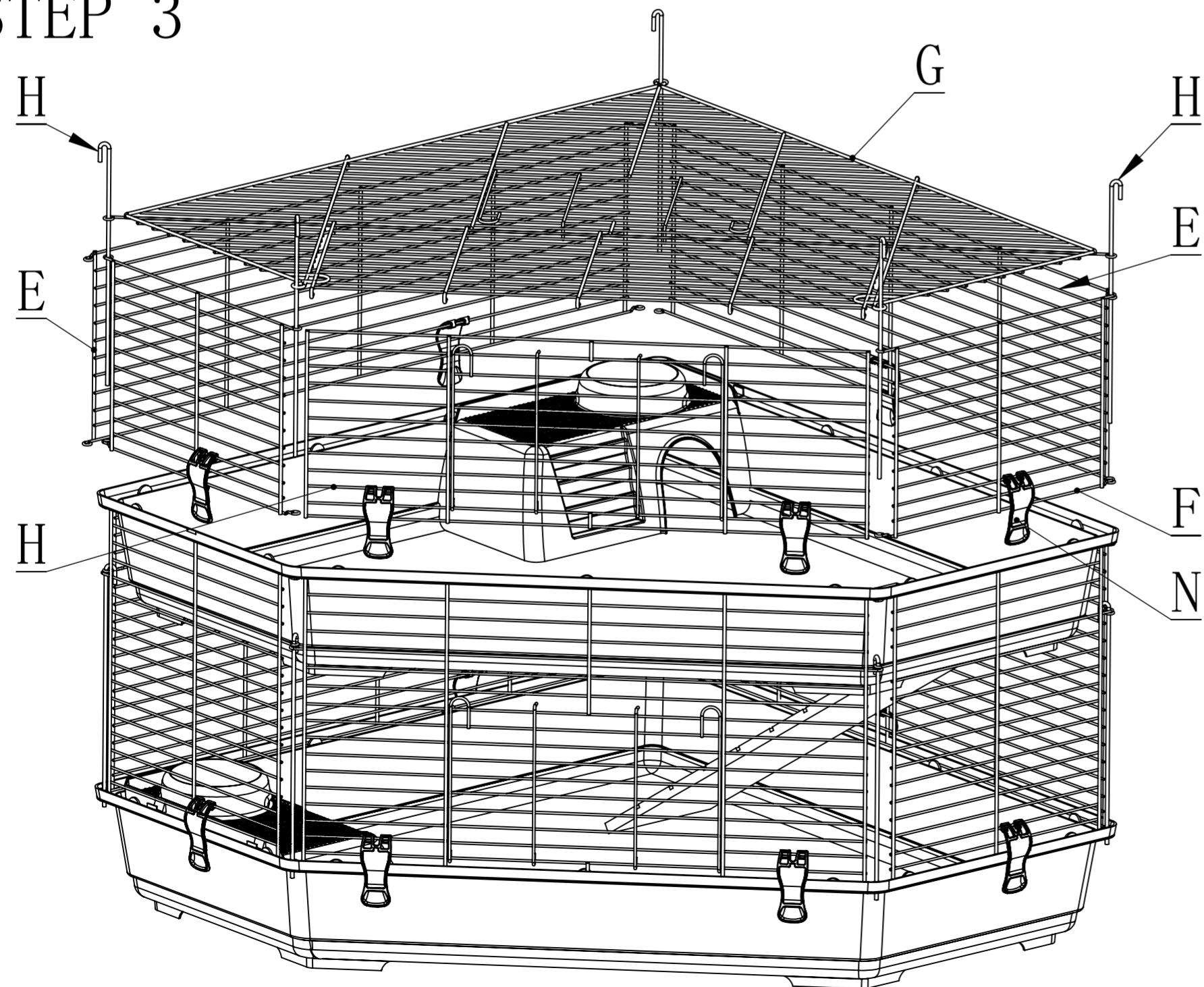
STEP 1



STEP 2



STEP 3



STEP 4

